

# PUEBLO CR45

High-Power FM/AM/Cassette Receiver with Detachable Face

Autoradio/Cassette AM/FM de Forte Puissance à Face Amovible

Receptor FM/AM/Reproductor de Cassette de Alta Potencia y con Carátula Desmontable

Rádio FM/AM/Toca-Fitas de Alta Potência com Face Removível



**BLAUPUNKT**<sup>®</sup>  
Bosch Group

# FCC Warning

---

The equipment has been tested and found to comply with the limits for a Class B device, pursuant to Part 15 of the FCC Rules. These limits are designed to provide reasonable protection against harmful interference in a residential installation. This equipment generates, uses, and can radiate radio frequency energy, and, if not installed and used in accordance with instructions, may cause harmful interference with radio communications. However, there is no guarantee that radio interference will not occur in particular installation. If this equipment does cause harmful interference to radio or television reception, which can be determined by turning the equipment off and on, the user is encouraged to try to correct the interference by one or more of the following measures:

- Reorient or relocate the receiving antenna.
- Increase the separation between the equipment and receiver.
- Connect the equipment into an outlet or circuit different from that which the receiver is connected.
- Consult the dealer or an experienced radio/TV technician for help.

You are cautioned that any changes or modifications not expressly approved in this manual could void your authority to operate this equipment.

# Owner's Record

---

The model and warranty numbers are located on the top of the unit. Record the serial number in the space provided below. Refer to these numbers whenever you call upon your Blaupunkt dealer regarding this product.

Warranty Number \_\_\_\_\_

**Attach Sales Receipt Here**

# Table of Contents

---

## English

FCC Warning .....	2
Owner's Record .....	2
Features .....	4
Precautions .....	4
Detachable Face .....	5
Electrical Connections and Installation .....	6
Installation .....	8
Maintenance .....	10
Specifications .....	11
Location of Controls .....	12
Instructions—General Operation .....	13
Radio Operation .....	14
Cassette Player Operation .....	16
Troubleshooting Guide .....	17

## Features

---

Congratulations on your purchase of this Blaupunkt FM/AM/Cassette Receiver. Its Optimum Reception Control (ORC III) quartz FM and AM Tuner and high-quality, multi-featured cassette tape player provide the ultimate in sound reproduction. The 2 x 25/4 x 7 watt amplifier and 2 RCA preamp outputs provide you with many system configuration possibilities.

- Tuner Features:
  - ORC III Tuner
  - 12 FM/6 AM Station Presets, Including 6 FM & 6 AM Travel Store Presets
  - Station Scan & Preset Scan
  - Automatic and Manual Tuning
  - Local/Distant Reception Control
  - ASU Impulse Noise Quieting
- Cassette Features:
  - Auto-Reverse Cassette Mechanism
  - True Fast-Forward/Rewind
  - Hard Permalloy Tape Head
  - Radio Monitor
- Audio Features:
  - 2 x 25/4x7 Watt Integrated Amplifier
  - 2-Channel RCA Preamp Output: 2.2 volts max. with less than 1% THD @ 100% Modulation
  - Dual-Level Fader
  - Volume/Balance/Fader Controls
  - Adjustable Turn-On Volume-Level
  - Loudness Button
  - Separate Bass and Treble Controls
- General Features:
  - Fully-Detachable Faceplate for Security
  - Smooth-Profile Hardshell Case
  - Switchable Clock/Function LCD Display
  - Ignition-Off Clock Recall
  - Amber Illumination
  - Detachable Wire Harness w/Bullet Connectors
  - 178 x 50 x 152 mm (7 x 2 x 6 in.) DIN/ISO Chassis
  - Snap-In DIN Sleeve & Mounting Hardware

Your unit's fully-detachable front faceplate makes the unit useless to would-be thieves.

## Precautions

---

- If your vehicle was parked in direct sunlight resulting in a considerable rise in temperature inside the vehicle, allow the unit to cool off before operating your unit.
- If no power connection is supplied to the unit, check the connections first. If everything is in order, check the fuse.
- If no sound comes from the speakers of a two-speaker system, set the fader control to the center position.
- You are cautioned that any changes or modifications not expressly approved in this manual could void your warranty.
- If you have any questions or problems concerning your unit that are not covered in this manual, please contact your Blaupunkt dealer.

# Detachable Face

## Detaching & Attaching the Face:

The face of this unit can be detached and taken with you to prevent it from being stolen.

### Detaching the Face:

Before detaching the face, be sure to press the PWR Button first. Then press the REL (Release) Button and detach the face by gently pulling it off as illustrated.

**Note:** Do not pull it straight out from the chassis. Be sure not to drop the face when detaching it from the chassis.

### Attaching the Face:

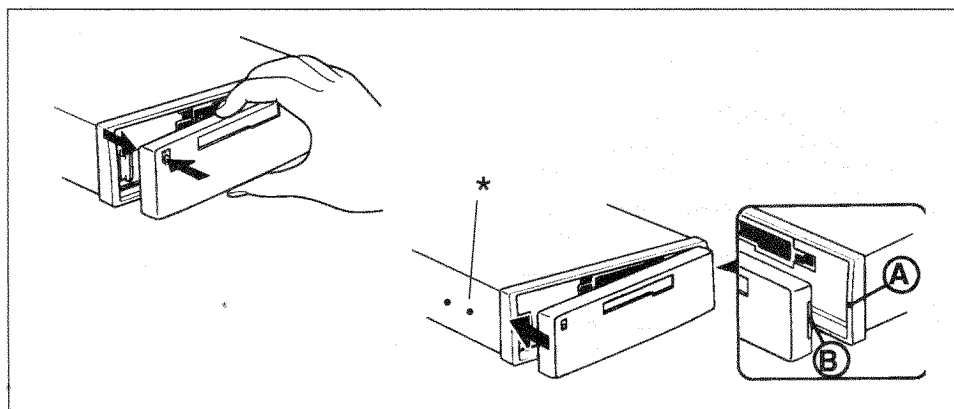
Apply the right hand side of the face to the chassis by sliding (part B) of the face to (part A) at the front of the chassis. Gently push the left side of the face against the front of the chassis until it snaps into place.

**Note:** Make sure that the face is inserted right side up. Do not press against the display window. Do not press hard against the face when attaching it to the chassis, it may be easily attached with gentle pressure. When carrying the face with you, put it in the carrying case. Do not expose the face to direct sunlight, heat sources such as hot air ducts or leave it in a humid place. Never leave it on the dash board of a vehicle parked in direct sunlight, where there may be a considerable rise in temperature inside the vehicle.

### Affixing Faceplate For Retail Display:

The faceplate can be affixed to the unit's chassis, which is desirable for a retail display, for example. **This should only be done in situations where the unit can be accessed from behind the mounting surface. Once the faceplate is affixed, the release keys cannot be used to remove the chassis.**

To affix the faceplate: A Unscrew the bolt at the left front side of the unit. ( See\* below.)  
B. Attach Faceplate C. Obtain longer bolt from hardware pack and screw it into the same hole.



# Electrical Connections and Installation

---

! To avoid the aggravation of costly mistakes and serious damage that could make you feel this way, please carefully read all of the instructions before you begin. Carefully follow all instructions. You'll be glad you did!

## GENERAL RECOMMENDATIONS

- If you're not confident that you can install the unit correctly, have it installed by a qualified Blaupunkt installation technician.
- Use this unit only with negative ground 12 Volt (11-16 Volt) direct current (DC).
- Be sure to detach the faceplate before you start to connect or install the unit.
- We recommend making and testing all electrical connections before installing the unit. Connect the leads (wires) according to instructions and diagram below.

## ELECTRICAL CONNECTION INSTRUCTIONS

1. Disconnect the vehicle battery's negative terminal before making connections.
2. Connect the speakers and/or external amplifiers (if you have any) following the guidelines in the SPEAKER CONNECTION section below.
3. Connect the blue (trigger output) lead to the amplifier's trigger input terminal and/or antenna motor trigger input terminal (if you have either or both of these items). The combined total amperage required for triggering the antenna motor and/or amplifier must not exceed 100 mA. DO NOT connect the blue lead to the antenna's and/or amplifier's power supply input.
4. Connect the black (power ground) lead to a grounded metal part on the vehicle. We recommend grounding all audio system black ground leads (head unit, external amplifier, etc.) to a common grounding point, preferably a non-painted surface under the instrument panel.
5. Connect the yellow (constant power) input lead to a source of constant battery power, preferably a terminal to an appropriate slot in the fuse box.
6. Connect the red (turn-on power) input lead only after the other leads are connected. Be sure to connect the red lead to a positive (+) 12 Volt power terminal that is energized only when the ignition key is set to the on position or accessory position.
7. Cover the ends of any unused leads with electrical tape. This will prevent them from touching the vehicle or each other and causing a short-circuit and damage to the radio or vehicle.
8. Reconnect the vehicle's battery.
9. Verify that no fuses have blown.
10. Plug the harness into the unit.
11. Attach the faceplate and test the unit.

Once the connections have been successfully made, you can begin to mount the unit.

## SPEAKER CONNECTIONS

The unit's Dual-Level Fader allows you to fade between the front speaker leads and the rear speaker leads and/or the rear preamp outputs, providing you flexibility in configuring your speaker arrangement:

- You can connect a speaker (regular, co-axial or tri-axial speakers or component speaker system, all hereafter referred to simply as "speaker") to each of the units' four pairs of speaker leads and realize 4 x 7 watt output.  
If you wish to have the speaker leads provide 2 x 25 watts to one pair of speakers, connect each speaker as shown on the bridge mode diagram. (See BRIDGE MODE diagram.) The unit will then fade between these speakers and the preamp outputs.
- You can connect the 2 RCA preamp outputs to external amplifiers and power speakers through the amplifiers. (Blaupunkt amplifiers and speakers available separately).

**Adding CD Changer:** You can easily play compact discs through this unit by adding the Blaupunkt CDC-RF6 6-Disc Compact Disc Changer. The space-saving CDC-RF6 easily plugs into the unit's antenna jack and comes complete with its own commander control. See your Blaupunkt dealer for details!

## Connecting the Speaker Leads

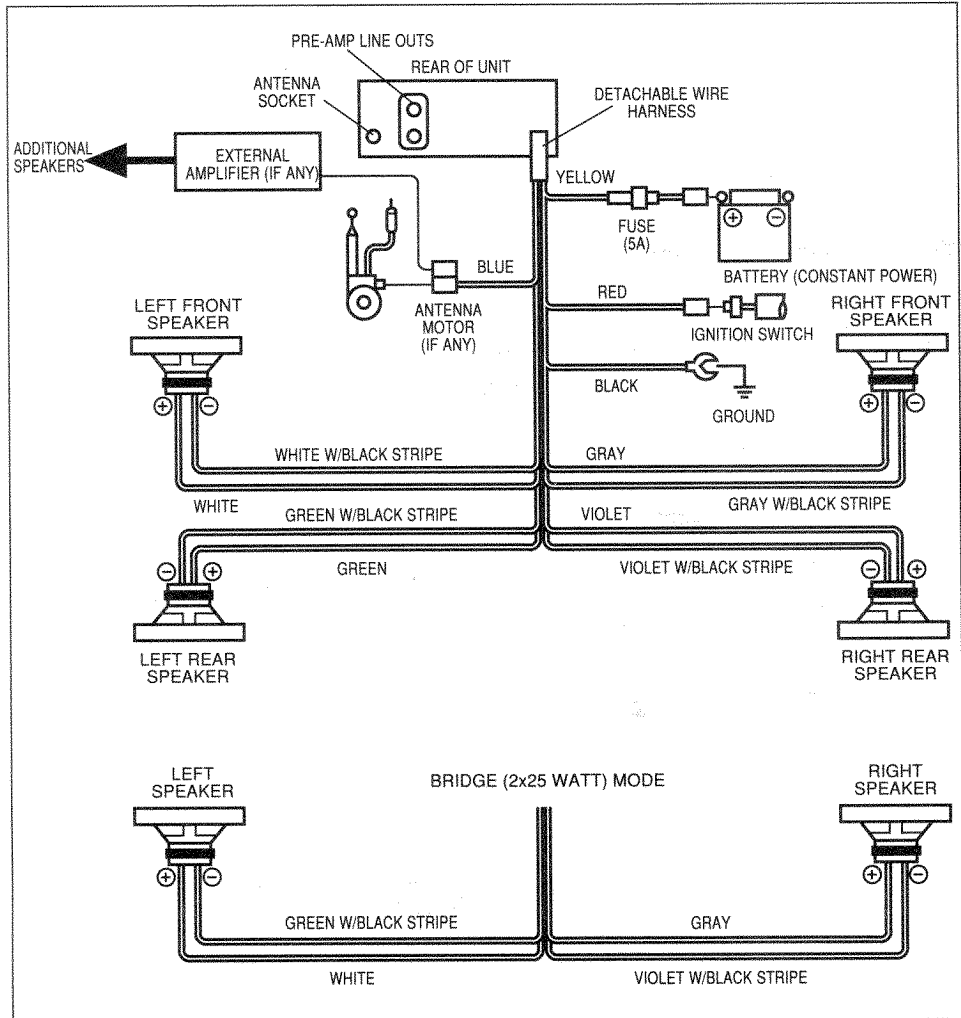
### To prevent short circuits or serious damage to the unit and/or speakers:

- Connect the speaker leads only as indicated in the wiring diagram.
- Only use speakers that have impedance ratings of 4 ohms or higher and have power-handling capabilities greater than the head unit's stated power level.
- The unit's internal amplifier is designed to handle a 4-ohm load on each pair of speaker leads.
- DON'T connect two speakers to a single pair of speaker leads ("in parallel") unless both speakers each have at least 8 ohms impedance.
- DON'T connect the left and right speaker leads to each other or to the same speakers.
- DON'T connect the negative speaker leads to each other.
- DON'T connect the positive speaker leads to each other.
- DON'T connect any active speakers (with built-in amplifiers) to the speaker leads.

## Connecting the Pre-Amp Outputs to External Amplifier(s)

### To prevent short circuits or serious damage to the head unit, amplifier, and/or speakers:

- Follow the amplifier's instructions on how to connect the unit's preamp outputs to the amplifier(s) and connect the speaker(s) directly to the amplifier.

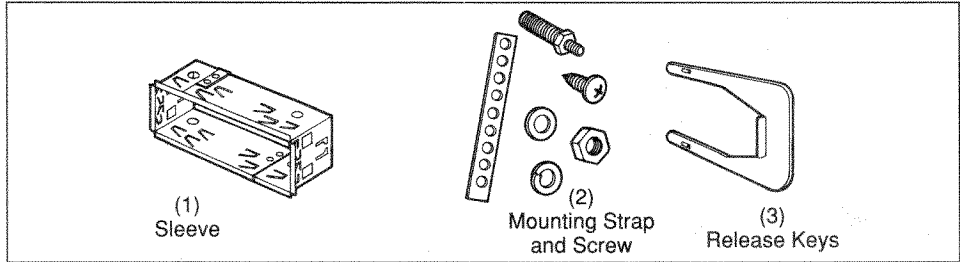


# Installation

## Recommendations

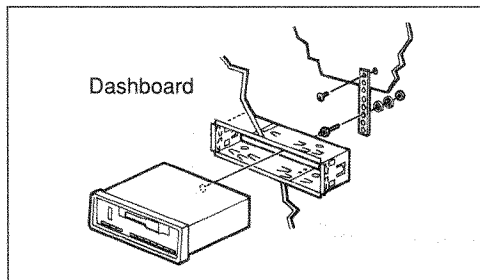
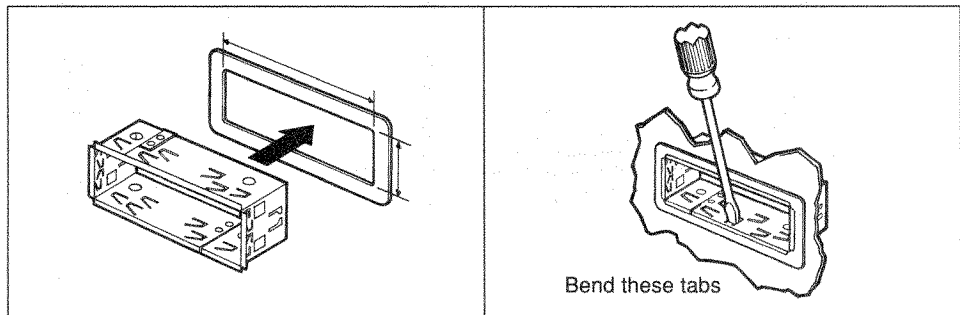
- Carefully choose the mounting location so that the unit won't interfere with normal driving.
- Avoid mounting locations where the unit would be subject to high temperatures, such as from direct sunlight or hot air from the heater, or where it would be subject to dust, dirt or excessive vibration.
- The illustration below shows a typical installation, however, you may need to adjust the installation, depending on the unit. If you have questions or need additional installation hardware, consult your Blaupunkt dealer.
- Make sure the unit is firmly anchored (preferably at both front and back) and does not vibrate.

## Mounting Hardware



## Mounting The Unit in Most Dashboards

- 1 Install the Sleeve (1) in the dashboard.
- 2 Select and bend the appropriate tabs to hold the sleeve firmly in place.
- 3 A. Attach the Mounting Strap (2) to the underside of the dashboard, using screw.  
B. Attach the back of the unit to the mounting strap using the support stem bolt and hardware.

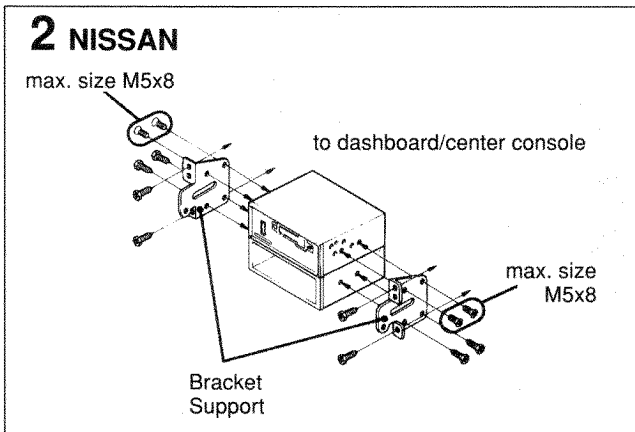
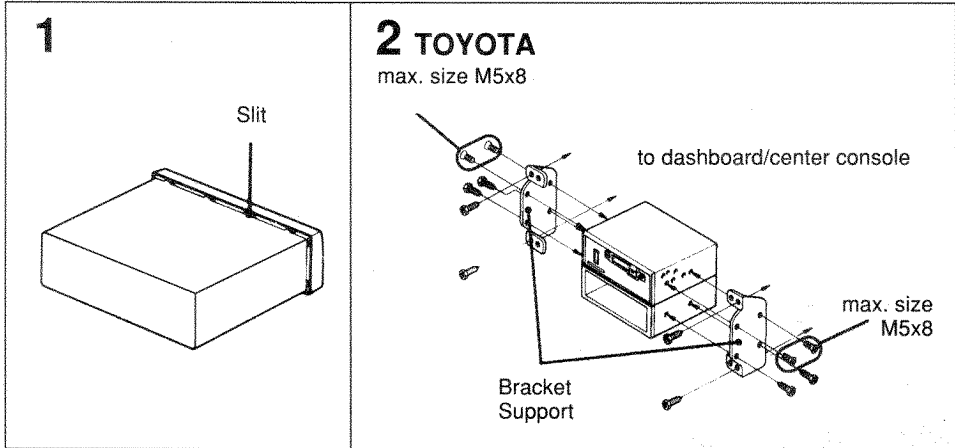




## Mounting the Unit in a Japanese Car

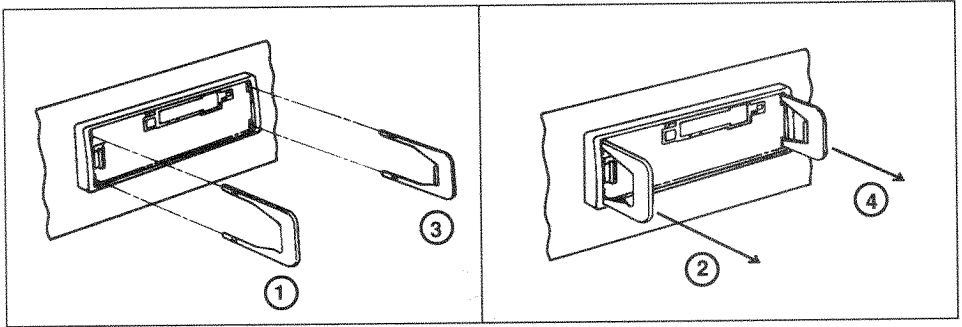
You may have difficulty mounting this unit in some Japanese cars that have ISO mounting features. In this case, consult your Blaupunkt dealer.

- 1 Run a blade along the slits on the back of the front trim ring and separate it from the unit. Discard the trim ring.
- 2 Use the vehicle's own mounting hardware to attach the unit.



## Removing the Unit

Use the Release Key as shown below. Keep it in a safe place in case you need it in the future.



### Release Key Instructions

1. Insert the key into the left side.
2. Use key to pull left side of unit slightly away from dashboard, out of locked position.
3. Insert the key into the right side.
4. Use key to pull right side of unit slightly away from dashboard, out of locked position.
5. Pull unit straight out from the bracket.

## Maintenance

---

### Fuse Replacement

When replacing the fuse, be sure to use one with the correct amperage, which will be stated on the fuse case. Never use a fuse that has a stated amperage exceeding the one supplied for this unit, as this could cause malfunction and serious damage to the unit.

### Cleaning the Connectors

The unit may not operate properly if the connectors between the unit and the face are contaminated with dirt. In order to prevent this from happening, remove the face from the unit by pressing the REL (Release Button), then detach it and clean the connectors from time to time. Clean the connectors with a cotton swab and isopropyl alcohol (90% or higher). Be sure to clean them with a horizontal motion. Never clean them vertically, because this could damage the contact points.

# Specifications

---

## Audio Power Specifications

---

Power Output and Total Harmonic Distortion: 5.5 watts per channel minimum continuous average output into 4 ohms, 4 channels driven, from 30-15,000 Hz with no more than 1% total harmonic distortion. (14 watts per channel in Bridge Mode)

## Other Specifications

---

### Tuner

#### FM

Tuning Range:	87.5 - 107.9 MHz
Intermediate Frequency:	10.7 MHz
FM Mono Sensitivity:	18 dBf
Seek lo sensitivity:	51 dBf
Seek sensitivity:	31 dBf
Selectivity:	80 dB at 400 kHz
Signal-to-Noise Ratio:	65 dB (stereo), 70 dB (mono)
Harmonic distortion at 1 kHz:	0.7% (stereo), 0.5% (mono)
Separation:	30 dB
Frequency Response:	30 - 15,000 Hz $\pm$ 3 dB

#### AM

Tuning Range:	530 - 1,710 kHz
Seek lo sensitivity:	50 dB $\mu$ V
Seek sensitivity:	30 dB $\mu$ V
Intermediate Frequency:	450 kHz
Signal-to-Noise Ratio:	45 dB

### Audio

Speaker Impedance:	4-8 ohms
Maximum Amp Power (at 14.4V):	2 x 25/4x7 Watts (at 4 ohms)
RMS Power:	2 x 14/4x5.5
Bass Control:	$\pm$ 10 dB @ 100 Hz
Treble Control:	$\pm$ 10 dB @ 10 kHz
Loudness:	+ 14 dB @ 100 Hz & + 3 dB @ 8 kHz
Preamp Outputs:	2-CH RCA
Preamp Output Voltage:	2.2 volts maximum @ 100% Modulation with < 1% Total Harmonic Distortion

### Cassette

Signal-to-Noise Ratio:	55 dB
Tape Wow and Flutter:	0.10%
Tape Frequency Response:	30-18,000 Hz $\pm$ 3 dB

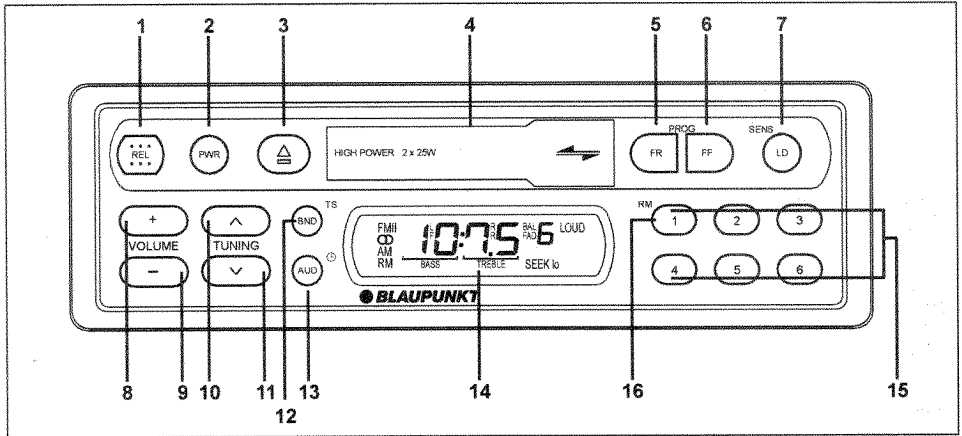
### General

Dimensions (w/o projecting parts/controls):	178 x 50 x 152 mm 7 x 2 x 6 in.
Mass:	Approx. 1.4 kg (3.0 lb.)
Power Requirement (neg. grnd.):	12 V DC car battery
Operating Temperature:	15°F to 120°F, -10°C to 50°C
Supplied Accessories:	

- Unit
- Faceplate
- Faceplate Carrying Case
- DIN Sleeve
- Mounting Hardware
- Owner's Manual in English, French, Spanish and Portuguese

*Design and specifications subject to change without notice.*

# Location of Controls



- |  |  |
|--|--|
| <ul style="list-style-type: none"> <li>1. REL (Release) Button</li> <li>2. PWR (Power) Button</li> <li>3. Cassette Eject Button</li> <li>4. Cassette Door</li> <li>5. FR (Fast-Rewind) Button</li> <li>6. FF (Fast-Forward) Button</li> <li>5&amp;6 PROG (Program Change) Buttons</li> <li>7. SENS (Reception Sensitivity)/ LD (Loudness) Button</li> <li>8. + Button:<br/>Volume +<br/>Bass +<br/>Treble +<br/>Balance Left<br/>Fade To Front</li> <li>9. - Button:<br/>Volume -<br/>Tone +<br/>Balance Right<br/>Fade to Rear</li> <li>10. ^ Button<br/>Seek and Manual Radio Tuning (Up)<br/>Preset Scan<br/>Clock Hour Adjustment</li> </ul> | <ul style="list-style-type: none"> <li>11. v Button<br/>Seek and Manual Radio Tuning (Down)<br/>Station Scan<br/>Clock Minute Adjustment</li> <li>12. BND (Radio Band Select)/TS (Travel Store) Button<br/>Clock 00.00</li> <li>13. AUD (Audio Select)/Clock Button<br/>Temporary Display Change<br/>Bass Mode<br/>Treble Mode<br/>Balance Mode<br/>Fader Mode<br/>Volume Mode<br/>Display Priority Change<br/>Clock Adjustment Access</li> <li>14. LCD Display Window</li> <li>15. FM/AM Preset Buttons</li> <li>16. RM (Radio Monitor) Button</li> </ul> |
|--|--|

# Instructions — General Operation

---

## Turning Unit On

Vehicle ignition must be on. To turn unit on, press PWR Button (2) or insert a tape.

## Turning Unit Off

Press the PWR Button (2) to turn the unit off.

## Volume

Press the + and – Buttons (8 & 9) to quickly increase or decrease the volume to the desired level. The volume level is indicated in the Display Window (14). To make a fine adjustments to the volume level, press the other volume button before the volume level disappears from the display. You can then gradually adjust the volume in either direction, making precise adjustment easy.

## Adjustable Turn-On Volume

First adjust the volume to the (maximum) volume level desired when the unit is turned on. Press and hold the PWR Button (2) for more than two seconds. The unit turns off and the turn-on volume level is memorized. When the unit is turned on, the volume will be at the memorized level, even if the unit was turned off while the volume was at a higher level. However, if the volume is turned off when the volume level is lower than the stored Turn-On volume level, the volume will be at the lower level when the unit is turned back on.

## Loudness Button

Press the LD Button (7) to increase sound level of low frequencies, especially when listening at low volume levels. (The increase is centered at 100 Hz, where the increase is 14 dB.) The “LOUD” indicator appears in the display. To cancel, press this button again.

## Setting the Clock

Turn the unit on. Press the AUD Button (13) for four seconds until the clock starts blinking. (The display will change after two seconds. Ignore this and continue to hold for two more seconds.) Once the clock starts blinking, Press the  $\wedge$  (10) to set the hour, and press the  $\vee$  Button (11) to set the minutes. (To change the minute indicator to the nearest hour (:00), you can press the BND Button. Press the AUD Button again to activate the clock.

## Changing the Information Displayed

- **To change the display priority** from clock to function or function to clock, press the AUD Button (13) for two seconds. The display priority changes.
- **To change the display temporarily** from clock to function or function to clock, press and release the AUD Button (13).\* After five seconds, the display changes back to the priority information.

## Ignition-Off Clock Recall

You can check the time when the vehicle ignition is off by simply pressing the AUD Button. The time stays displayed for five seconds.

## Bass and Treble

Press AUD (Audio Select) Button (13) twice to select the Bass mode, three times for the Treble mode. The level is indicated in the Display Window (14). Press the + Button (8) or – Button (9) to increase or decrease the level.\*

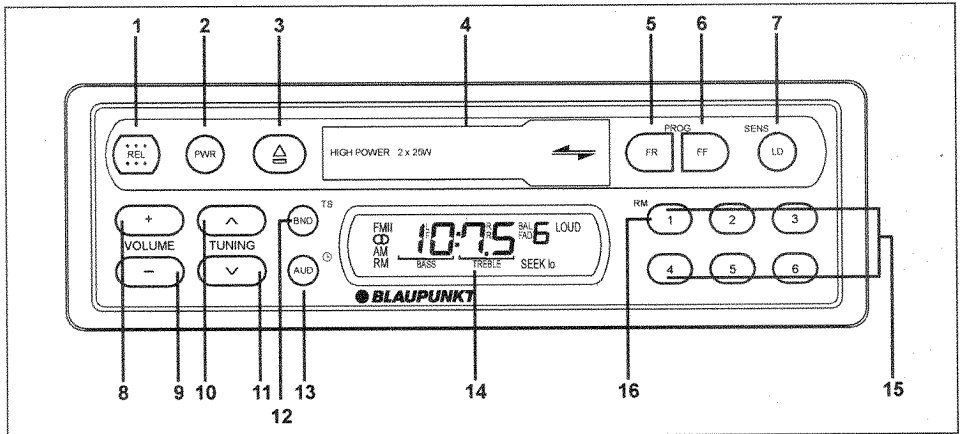
## Balance

Press AUD Button (13) four times to select the Balance mode. The balance is indicated in the Display Window (14). Press the + Button (8) to increase the left speaker output or press the – Button (9) to increase the right speaker output to the desired level.\*

## Fader

Press AUD Button (13) five times to select the Fader mode. The level of output for front and back speakers is indicated in the Display Window (14). Press the + Button (8) to decrease the rear speaker output. Press the – Button (9) to decrease the front speaker output.\*

\* Five seconds after you complete your adjustments, the unit will automatically return to the volume mode and the display will revert back to the priority display, clock or function. You can also press and release AUD as needed to return to VOLUME, which appears after FADER in the AUD Button cycle.



### AUD Button Summary

- Pressing and releasing the AUD Button accesses these modes in this succession:
- Temporary Display Change, Bass, Treble, Balance, Fader, Volume. Pressing the AUD Button for two seconds changes the display priority between clock and function.
- Pressing the AUD Button for four seconds accesses the time adjustment mode.
- While in any AUD mode, if no button is pressed for *four* seconds, the unit returns to the volume adjustment mode and priority display.

## Radio Operation

### Band Selection

Press the BND Button (12) to select the bands FMI, FMII, and AM sequentially. The indicator for the active band (FMI, FMII or AM) appears in the Display, along with the radio frequency being received.

### Automatic Stereo/Mono Reception Adjustment

When an FM stereo program with a signal strength of at least 50 dBf is tuned in, the stereo indicator ("Ⓢ") appears in the Display Window. If the FM stereo program is weak and noisy, the unit automatically blends the signals, eliminating the noise and gradually converts to the monaural or "mono" mode. The stereo symbol will disappear from the Display.

### Automatic Seek Tuning

Select the desired band AM or FM. Press and release the ^ and v Buttons (10 and 11) to seek the next receivable station. To stop seeking and return to the previous frequency, press the other of the ^ and v Buttons (Pressing and holding the ^ Button for two seconds activates the Preset Scan Button. Pressing and holding the v Button for two seconds activates the Station Scan Button.)

### Adjusting The Tuning Criteria

Pressing the LD Button (7) for two seconds to advance to the next step in the following cycle of Tuning options:

"SEEK lo" (local stations) —> "SEEK" (distant stations as well as local stations) —> Manual Tuning

### Search Sensitivity

To have the seek and scan tuning stop only at strong local stations, press the LD Button (7) for two seconds intervals, as needed, until "SEEK and lo" appear in the display.

To allow all receivable stations to be received, press the LD Button (7) for two seconds intervals, as needed, until "lo" disappears in the display. Automatic tuning will now stop at ALL receivable stations, weak or strong.

### **Manual Tuning**

Select the desired band: AM or FM. Press and hold the LD Button (7), as needed, until Seek disappears from the Display. Press and release the  $\wedge$  and V Buttons (10 and 11) to seek the desired frequency. *Five seconds after you complete your adjustments, the Tuning Control reverts back to Seek Tuning*

### **Station Scan Tuning**

Select the desired band, AM or FM. Press the V Button (11) for two seconds to activate station scan. Each station receivable under the current tuning mode will be scanned, in order for 8 seconds. To stop the scanning and listen to the station being received, press the V Button again.

### **Preset Tuning**

Up to 12 FM and 6 AM stations can be stored in preset memory.

1. Tune in a desired station, either manually or automatically, on the desired Band, AM, FMI, and FMII.
2. Press and hold any one of the six Preset Buttons (15). The Preset Button number will appear in the Display Window. After two seconds, the frequency will blink twice, indicating that the station has been stored in the Button's memory storage for that Band.
3. Repeat the above procedure with the rest of the presets for each Band, as desired.
4. To select a preset station, select the desired band, then press and release the desired Preset Button.

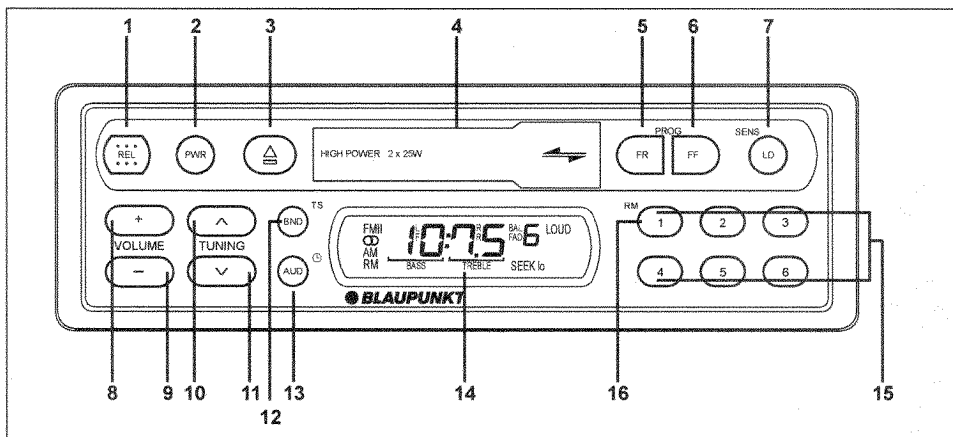
### **Preset Scan**

To review the stations stored in the Preset Buttons, press the  $\wedge$  Button (10) for two seconds. All of the stations stored in memory will be scanned, in order, for the 8 seconds. If any of the preset frequencies are not receivable with a signal strength of at least 20 dBf, they will be skipped over. To stop the scanning and listen to the station being received, press  $\wedge$  Button (10) again.

### **Travel Store**

This feature allows you to automatically store 6 receivable FM and 6 receivable AM stations, which is especially handy when you travel to a different reception area.

Select the desired band, FM or AM. Then press the TS Button for two seconds. Beginning with the last station that was received on that band, the unit automatically scans the band first for stations receivable with a minimum 90 dBf sensitivity, then with the lo and distant seek sensitivity levels. The unit stores the six most-receivable stations and switches to preset 1 on the that band. The presets on the other bands will not be affected.



## Cassette Player Operation

### Cassette Tape Play:

- Insert cassette into Cassette Door (4). Note: Make sure that the side of the cassette with the tape exposed is facing to the right side and that all slack has been removed from the tape prior to insertion.
- The insertion of the cassette will automatically override the radio, and the cassette will begin to play. When the cassette deck is being used, the display will indicate which direction the tape is going.
- The tape will continue to play until ejected, after which the radio will play.

### Auto-Reverse Tape Function

- Automatic: When the end of the tape (side A or B, program 1 or 2) is reached, the tape will automatically reverse direction and play the other side of the tape.
- Manual: To reverse tape direction during playback, press the PROG (Program) Buttons (5 & 6). The change in direction and in tape program will be confirmed in the Display.

### Fast Winding of Tape

- To fast-rewind the tape, press the FR Button (5).
- To fast-forward the tape, press the FF Button (6).  
When the unit is fast-winding, the display blinks.
- To stop fast winding, press the other fast-wind button, FR or FF.

### Ejecting The Tape

Press the Cassette Eject Button (3) to eject the tape. The radio will play.

**Radio Monitor** — This feature allows you to have the radio play when a tape is being rewound or fast-forwarded. To activate, press the RM Button (16). RM appears in the Display when the cassette tape is in use. To deactivate, press this button again.



# Troubleshooting Guide

The following check will assist in the correction of most problems which you may encounter with your unit. Before going through the check list below, refer back to the connection and operating procedures.

## General

Trouble	Cause/Solution
No sound.	<ul style="list-style-type: none"><li>• Adjust the volume with the + button.</li><li>• Set the fader control to the center position on the 2-speaker system.</li></ul>
Indications do not appear on the display window.	<ul style="list-style-type: none"><li>• Remove the front panel and clean the connectors. See "Cleaning the Connectors" of "Maintenance" for details.</li></ul>

## Radio reception

Trouble	Cause/Solution
Preset stations are not receivable.	<ul style="list-style-type: none"><li>• The broadcast is too weak.</li></ul>
Automatic tuning is not possible.	<ul style="list-style-type: none"><li>• The broadcast is too weak. —&gt; Use manual tuning.</li></ul>
Travel Store feature does not complete storing of six stations.	<ul style="list-style-type: none"><li>• Not enough broadcast frequencies are receivable.</li></ul>

If the above mentioned solutions do not help to improve the situation, consult your nearest **Blaupunkt** dealer.